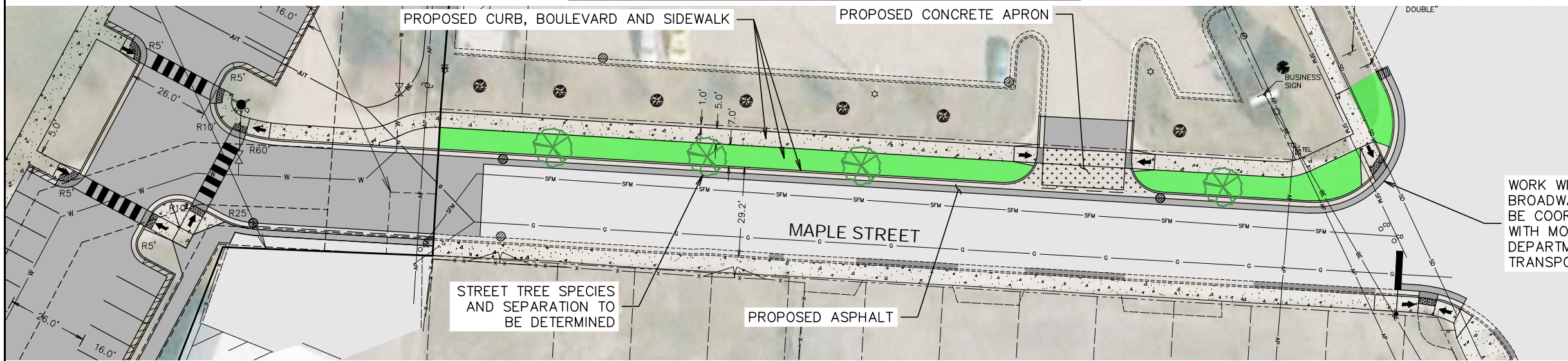
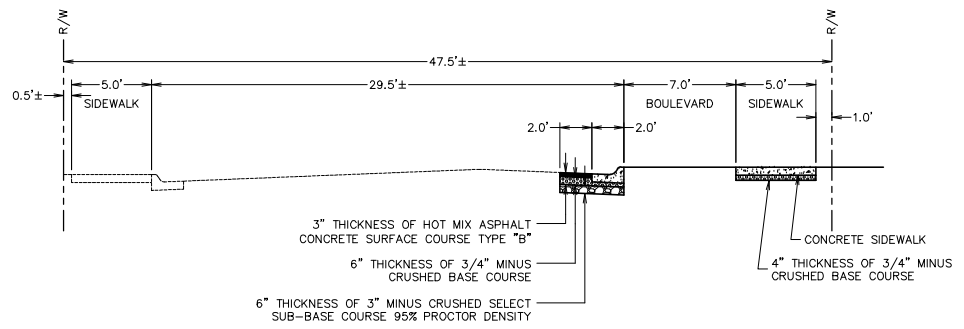


EXISTING CONDITIONS AND DEMOLITION OF MAPLE STREET



PROPOSED MAPLE STREET CONFIGURATION



MAPLE STREET (LOOKING WEST)
 PROPOSED STREET CROSS SECTION
 (STREET SECTION WITHIN EXISTING RIGHT-OF-WAY)



PRELIMINARY
 PLOTTED: 10/8/20
 SAVED: 9/15/20

MAPLE STREET IMPROVEMENTS EXHIBIT
 TRINITY APARTMENTS - MULLAN SITE
 MISSOULA, MONTANA

REVISIONS:		
NO.	DESCRIPTION	DATE

PROJECT: 19-11-19
 LAYOUT: SITE
 SURVEYED: ...
 DESIGN: KB
 DRAFT: EDI
 APPROVE: ...
 DATE: ...

AUGUST 2020

FILE: W:\Projects\191119\CAD_Data\Exhibits\191119DOLLAR.dwg