

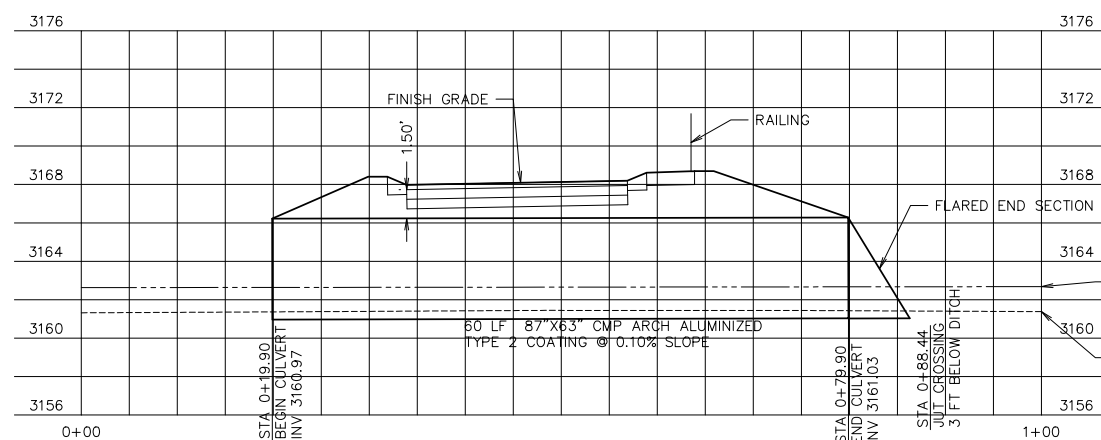
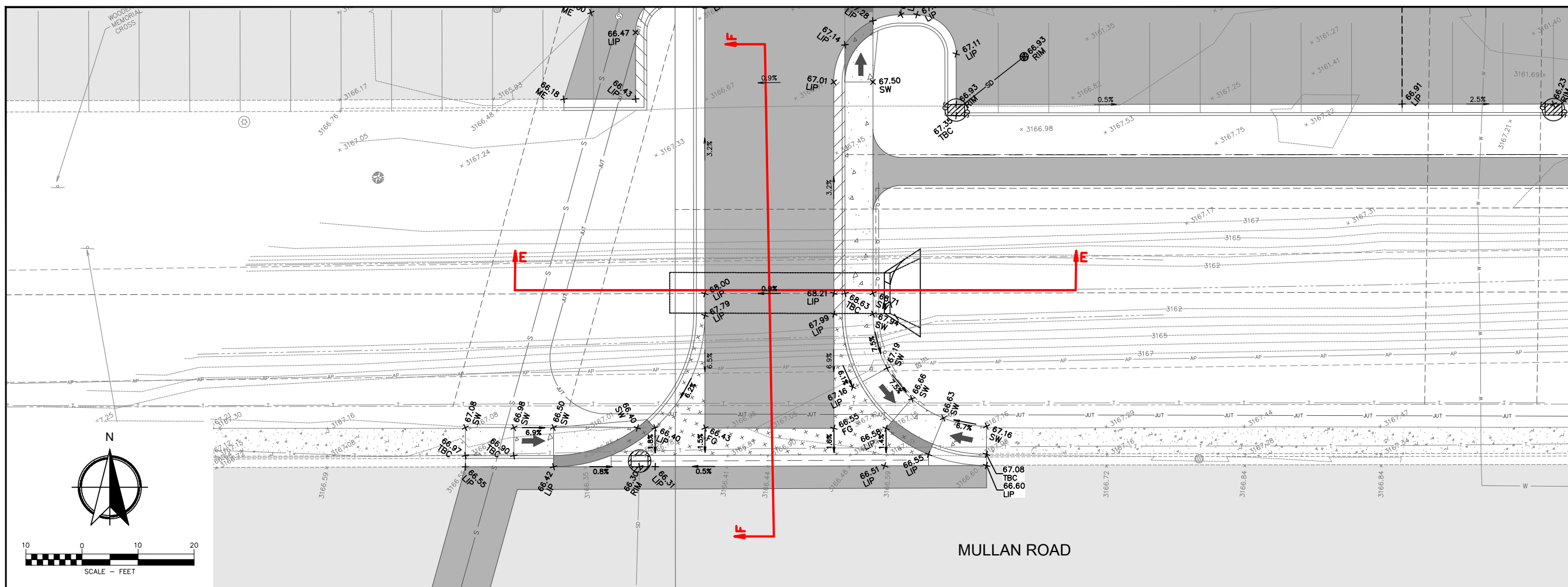


WGM GROUP  
WWW.WGMGROUP.COM

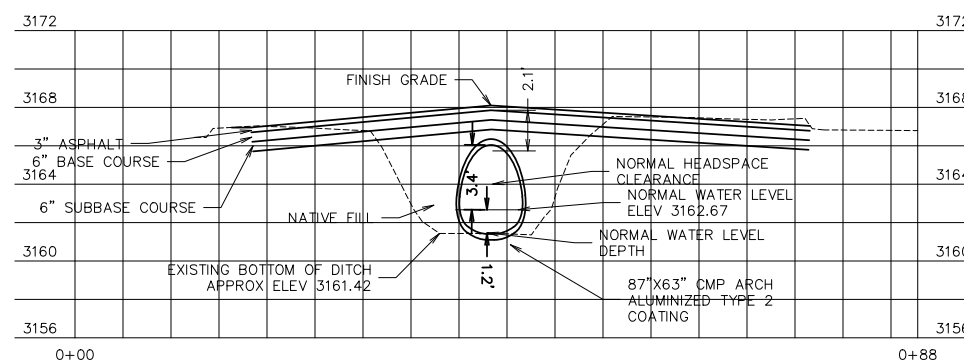
50%  
CONSTRUCTION  
DOCUMENTS

PLOTTED: 10/8/20  
SAVED: 10/8/20

IRRIGATION DITCH GRADING PLAN  
TRINITY APARTMENTS MULLAN SITE  
MISSOULA, MONTANA



SECTION F-F



| NO. | DESCRIPTION | DATE |
|-----|-------------|------|
|     |             |      |
|     |             |      |
|     |             |      |
|     |             |      |
|     |             |      |
|     |             |      |
|     |             |      |
|     |             |      |
|     |             |      |
|     |             |      |

PROJECT: 19-11-19  
LAYOUT: C3.3  
SURVEYED: ...  
DESIGN: SDR  
DRAFT: EDI  
APPROVE: ...  
DATE:

OCTOBER 9, 2020

SHEET  
C3.4

FILE: W:\Projects\191119\191119\MULLAN\CAD\_Data\Design\191119\MULLAN-GP.dwg